

GG3 Foamed Steel-Cored Hand-Hold

Features

- Resilient, padded surface
- No sharp edges, for maximum safety
- Triangular section for good grip
- Mounting holes concealed by 'snap-in' plugs
- Attractive, textured finish
- Suitable for applications including vehicular and railway
- Available in 2 standard colours - black and red

Material

- Moulded in expanded polyurethane foam around welded steel former (core)

Product Performance

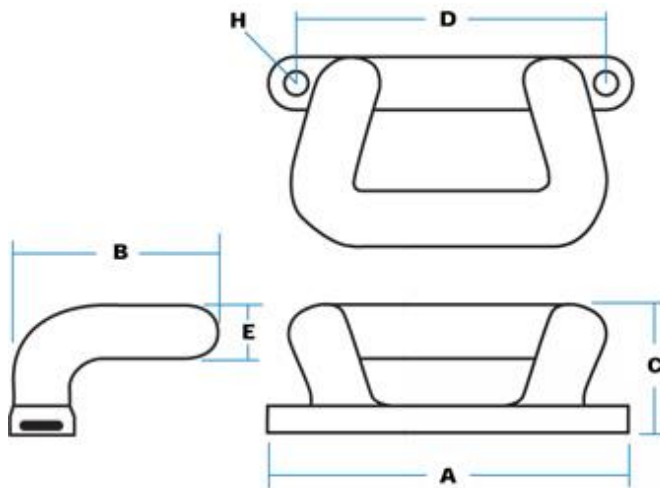
- Meets EC 95/28/CE regulation for combustibility (less than 100 mm per minute)
- Load capacity:
 - Parallel to fixing - 14,840 N
 - Vertical to fixing - 13,770 N
 - Ultimate strength - over 1,000 kg
 - Recommended safe working load - max. 500 kg

Notes

- Installation by bolting through holes in top rail



Can also be used in reverse style



Plug diameter 15 mm accepting bolts to
12 mm head diameter x 7 mm shank
(Plug part no. G00538)

Part No.	Colour	A	B	C	D	E	H
GG3-G01228	Black	175	100	66	151	25	7
GG3-G01228-01	Red (RAL 3020)						